

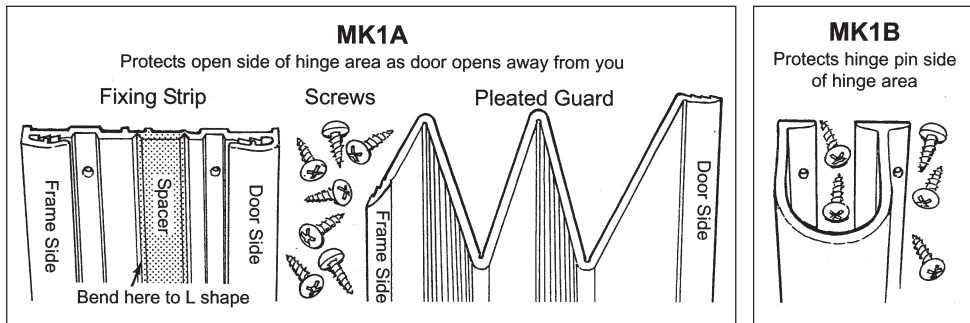
MK1A & MK1B FITTING INSTRUCTIONS

Fingersafe is easy to fit and very reliable when installed correctly. It is essential that these instructions are followed carefully. We can accept no liability or responsibility for incorrect installation. Fingersafe can be installed in 95% of today's doors. If your door is one of the following types, please contact us for assistance: *double swing doors, sliding doors. Pre-drill kick plates using 3/32 titanium drill bit.*

Tools required for fitting Fingersafe

1. Cordless drill
2. Utility knife (always keep blade sharp)
3. Strong scissors or metal shears
4. Phillips drill bit
5. Pencil
6. Self drilling screws for wood, metal & aluminium doors (provided)

Components of fingersafe®

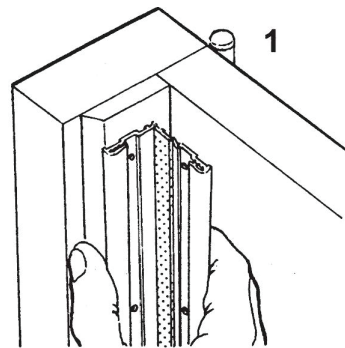
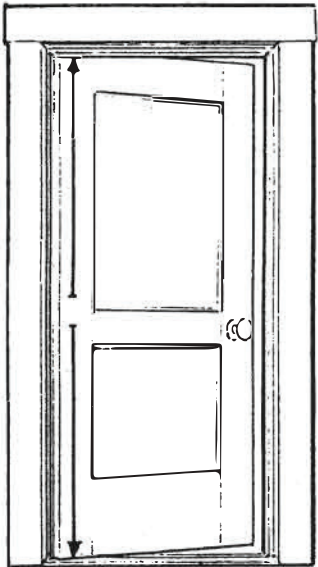


MK1A PRE-INSTALLATION CHECKLIST

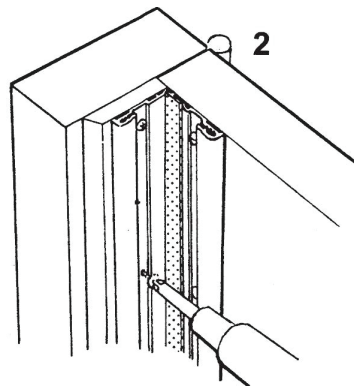
1. Check the stability of the door and hinges by opening the door at a 45 degree angle and gently but firmly exerting lateral and vertical pressure. This will show any instability or damage in the door or frame which must be repaired before you start. If the door has a closer attached, you must check its effectiveness. If the door closes easily without fingersafe, it will continue to do so once fingersafe is installed.
2. After any necessary door maintenance, bring all the tools to the side of the door that swings away from you, and pull the door closed tight.
3. Measure from the bottom of the door to the door stop at top of the door (with door firmly closed) then allowing clearance top and bottom, cut the fixing strip and module (pleated panel) to length if necessary

NO LIABILITY WHATSOEVER ACCEPTED IF THESE INSTRUCTIONS ARE NOT FOLLOWED

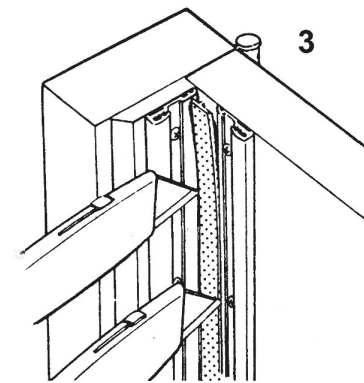
MK1A Installation instructions for standard hinged door



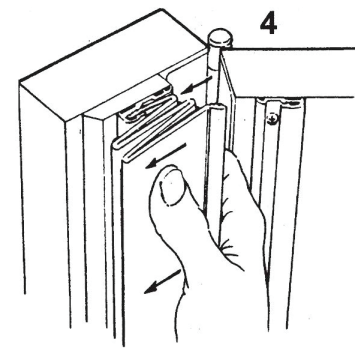
Close door and bend fixing strip to an 'L' shape. You will have two sections, one wider than the other. Hold in the corner of the frame and door, being sure to keep the wider section on the door side.



Insert TEK screws on alternating sides, keeping corners firmly in place.



With Stanley knife separate strips at corner and remove spacer from door (if strip is not removed, the door will not close).



Open the door 90 degrees and align the 1 inch side of the pleated panel to the frame side of the fixing strip. Teeth must face inward toward the door and frame. Then snap into position, top to bottom.

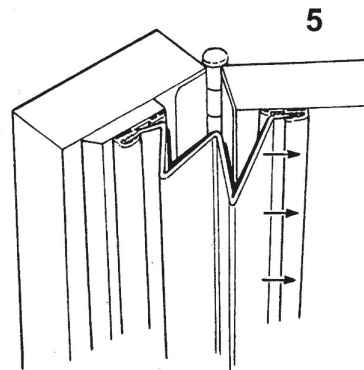
Fitting Tips:

After installing fixing strip, the 1 inch panel must be snapped into FRAME side of fixing strip FIRST. A rubber mallet is useful to fully insert panel top to bottom.

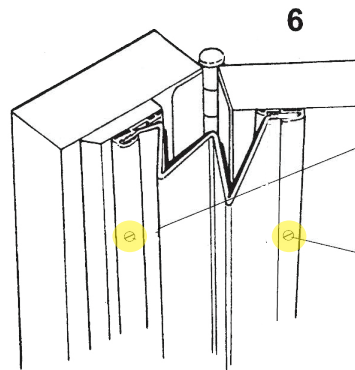
see No. 4

When snapping the fingersafe panels in position 3 distinct clicks per side signal a complete installation.

see No.5

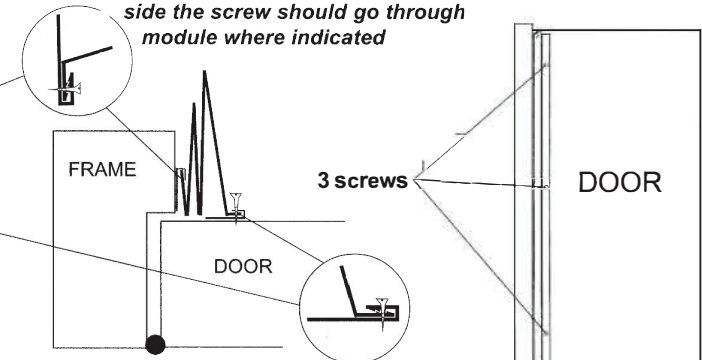


Insert 3 inch panel of accordion in door fixing strip fully *3 distinct clicks.



Always fit retaining TEK screws through both fixing strip and accordion.

Ensure when screwing onto frame side the screw should go through module where indicated

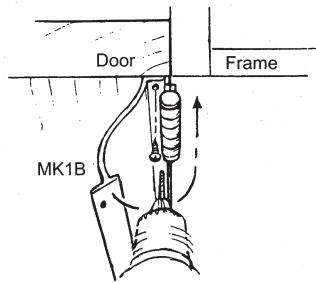
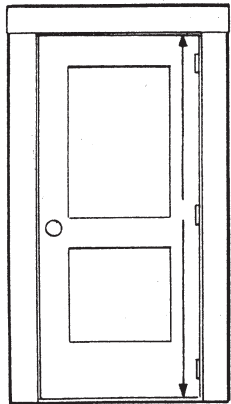


Ensure the 3 screws are inserted through accordion and fixing strip as shown. Fingersafe should lay flat against the frame when the door is closed.

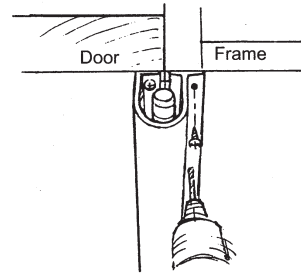
Video instructions at: www.fingersafe.com/installation/

OR YouTube: FingersafeUSA

MK1B Installation for standard hinged door



Butt L shaped edge to the door side of hinges while aligning with top and bottom of door. Secure completely with TEK self tapping screws



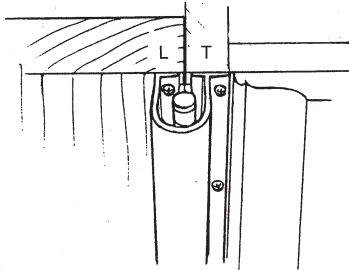
Roll the MK1B over the hinges and butt the T shape to hinges on frame side. Align with L shape top and bottom. Secure with TEK self tapping screws and remove cellophane protective membrane. You are now fingersafe

Measure height of the hinge side of door. Cut MK1B square to this length

Fitting Tips

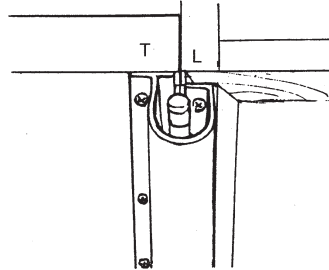
(1) Both the L and T must be parallel to door and frame and each other for maximum protection and wear
(2) The screws on the L side must be secure first for obvious reasons

Typical installation



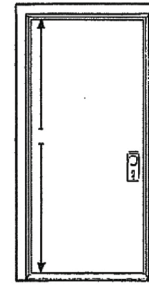
MK1B must be cut square aligned with top and bottom of door

Exception to Typical



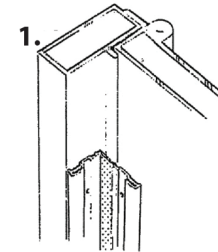
Architrave frame fitted with MK1B reversed, due to limited space on the frame side

Installation Modification for YKK Type Doors

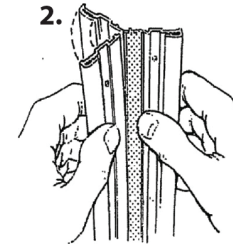


For smoothest operation and maximum wear, fixing strips must be straight and parallel to door and each other.

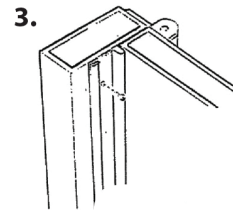
All components must be cut square with space top and bottom to prevent binding.



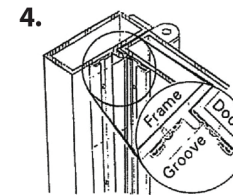
1. Metal door with fixing strip in position. Align with bottom of door.



2. Separate frame side of fixing strip for installation.

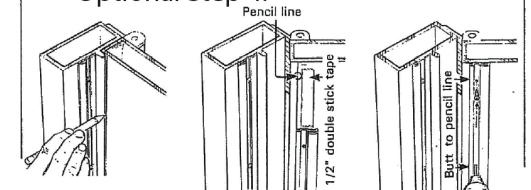


3. Butt frame fixing strip to metal lip as shown. Screw in TEK screws.



4. Align the edge of the lip with groove between spacer and door fixing strip. Screw in TEK screws

Optional Step 4:

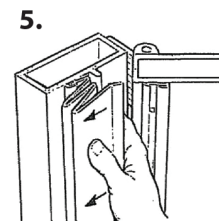


If the space between door and lip is too small to accept fixing strip, use **Optional Step 4:**

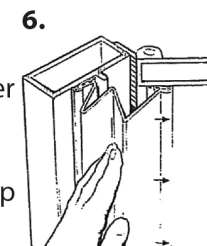
Using the lip as a straight edge, draw a pencil line from top to bottom. Separate the door fixing strip.

Align door fixing strip with the top and bottom of door and the pencil line as shown.

Secure fixing strip with TEK screws. Snap pleated panel in position. Follow Step 5-6



5. Place the 1" panel next to the gripper of the frame fixing strip. Align top and snap into place.



6. Snap the 3" panel into door fixing strip gripper. Listen for 3 clicks. Follow Step #6 on instructions.

MKIA Instructions for Door with a Push Bar



Fixing Strip and Accordion must be notched.
Note: screw placement and reinforcement.

Installation Tips

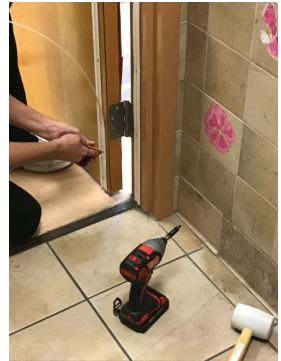
Recommended Tools

- Rubber Mallet
- Sharp utility knife
- Craftsman E-Z cutters
- If pre-drilling is needed: 2 drills: one equipped with 3/32 bit



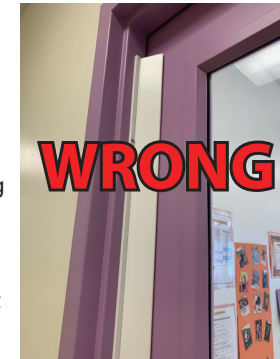
Fixing Strip Tips

- Fold Fixing strip and place WIDER side on the door.
- Alternate sides when securing to door and frame
- Fixing strip is not cut until AFTER it is screwed in. • Do not forget to remove the spacer on the door side.



Accordion Tips

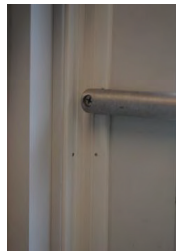
- Insert accordion on the frame side first.
- The "teeth" on the lip face down.
- Use the mallet to fully secure accordion top to bottom. 3 clicks.
- The fold line must line up to the fixing strip top to bottom.
- Double check accordion is 100% snapped.
- The accordion should fold flat against the frame.



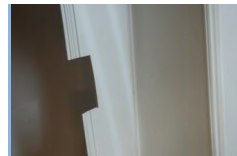
Bend fixing strip and place in corner with wider section on the door side.



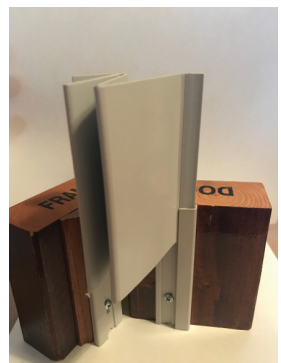
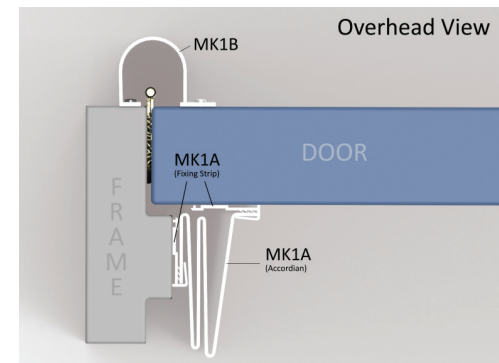
Cut notch.



Install fixing strip.



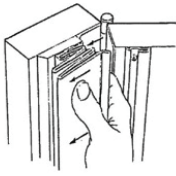
Notch accordion.



Installation Tips

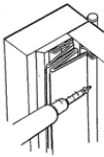
Retaining Screws Tips

- Center the retaining screws through the fixing strip
- Do NOT put screws through the accordion
- Place one screw close to the top frame, one in middle, and one at bottom

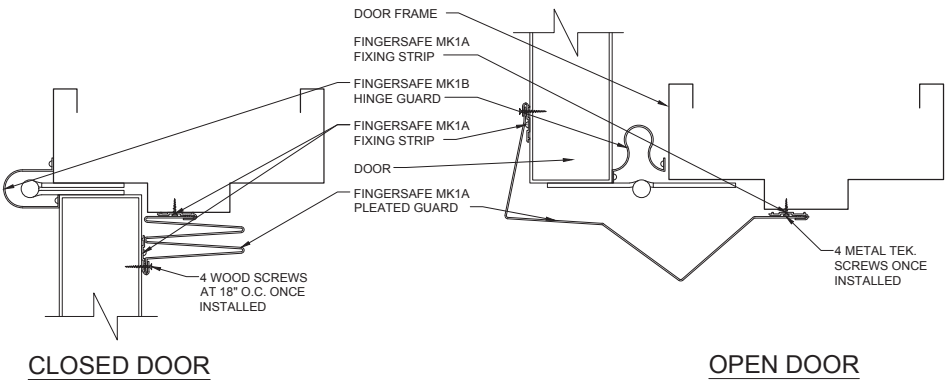
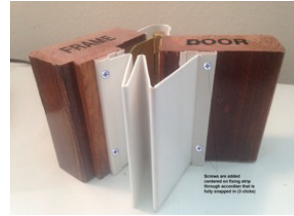


**The 1" Panel must be snapped into the frame Fixing strip FIRST.

**When snapping the Fingersafe panels push firmly top to bottom until fully snapped (3 Clicks).



**Screws are added centered on the fixing strip through accordion.



fingersafe® usa, inc.

www.FingersafeUSA.com
 888.FING-SAF (346-4723)
 2025 Louisville Rd., Unit H
 Savannah, GA 31415
 E-mail: Orders@Fingersafe.com