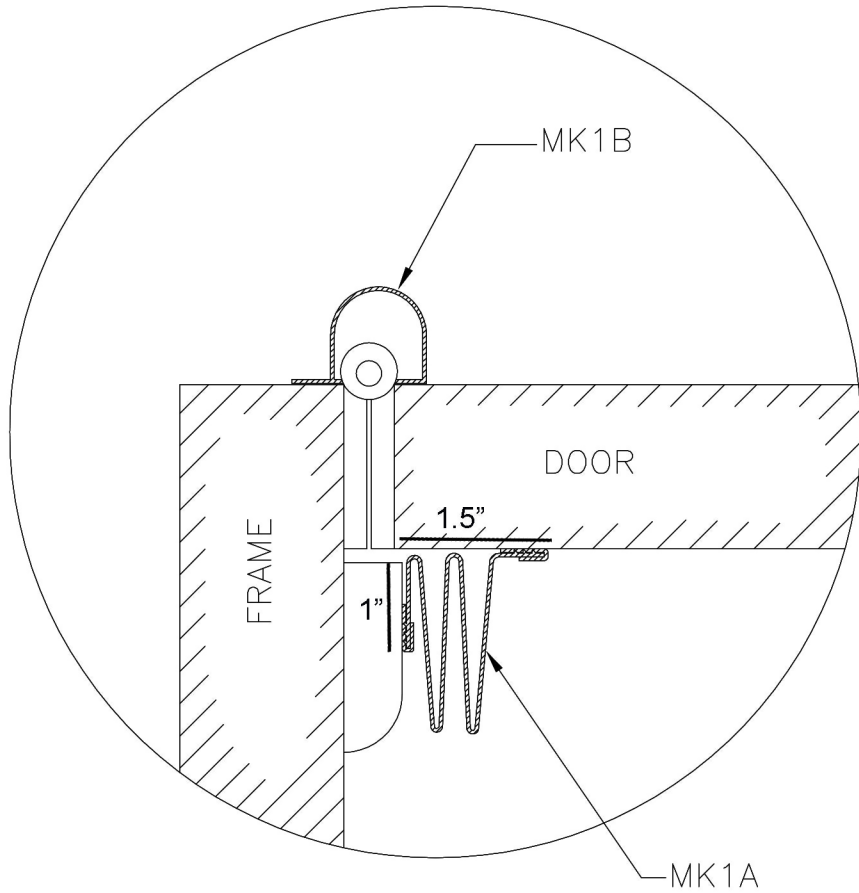
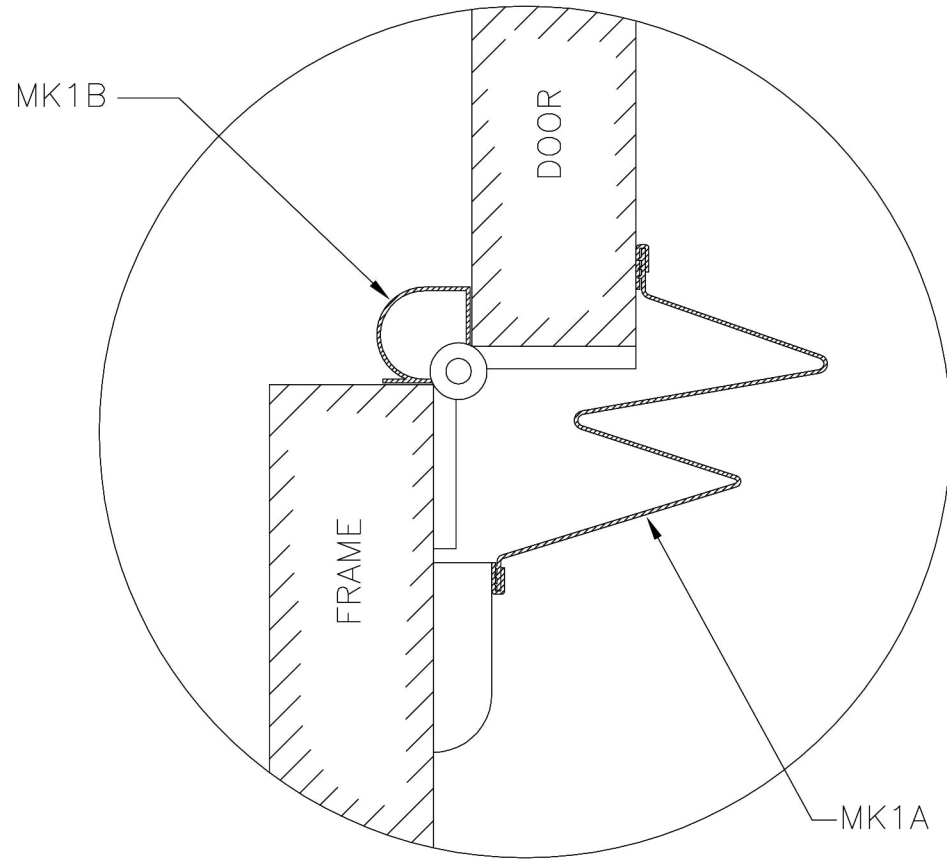


MK1A & MK1B

OVERHEAD VIEW OF INSTALLED FINGERSAFE DOOR HINGE GUARDS



DOOR CLOSED



DOOR OPEN