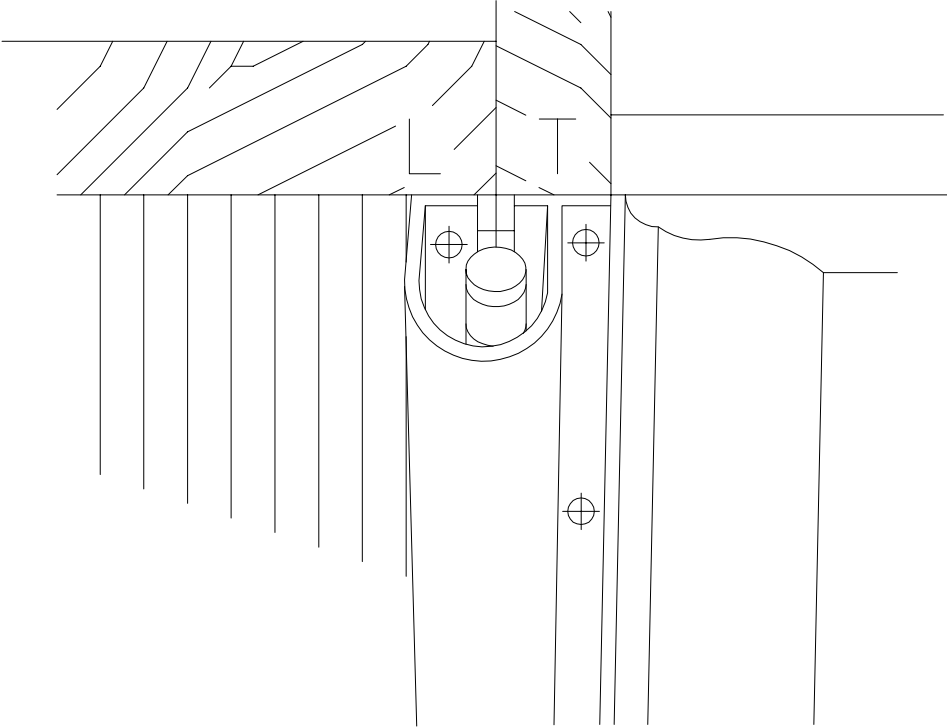
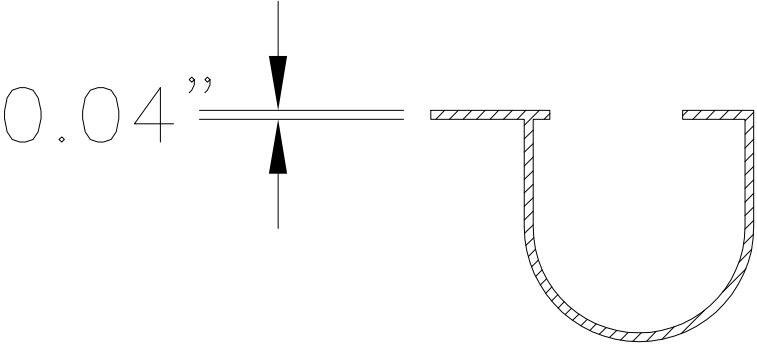


FINGERSAFE MK1B
CLOSED HINGE/HINGE PIN PROTECTION



TYPICAL INSTALLATION