

## SECTION 08770

### DOOR HINGE GUARDS Fingersafe USA, Inc.

#### PART 1 - GENERAL

##### 1.1 SECTION INCLUDES

- A. Door hinge guards for opening side, hinge pin side, bi-fold and flush fit doors.

##### 1.2 RELATED SECTIONS

- A. 08100 - Metal Doors and Frames.
- B. 08210 - Wood Doors.
- C. 08350 - Folding Doors and Grilles.
- D. 08400 - Entrances and Storefronts.
- E. 08710 - Door Hardware.

##### 1.3 REFERENCES

- A. ASTM International (ASTM): ASTM E 152 - Methods of Fire Tests of Door Assemblies.
- B. National Fire Protection Association (NFPA): NFPA 25 - Standard For The Inspection, Testing, And Maintenance Of Water-Based Fire Protection Systems.
- C. Underwriters Laboratories, Inc. (UL):
  - 1. UL 10B - Fire Tests of Door Assemblies.
  - 2. UL 10C - Positive Pressure Fire Tests of Door Assemblies.
- D. Canadian Standards: CAN4 S-104 - Standard Method for Fire Tests of Door Assemblies
- E. Uniform Building Code (UBC): UBC 7-2 - Fire Tests of Door Assemblies.

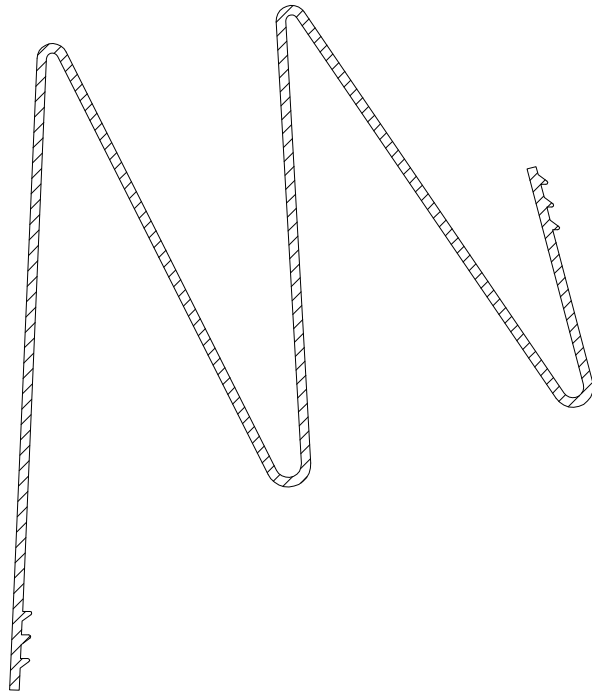
##### 1.4 SUBMITTALS

- A. Submit under provisions of Section 01300.
- B. Product Data: Manufacturer's data sheets on each product to be used, including but not limited to:
  - 1. Preparation instructions and recommendations.
  - 2. Storage and handling requirements and recommendations.
  - 3. Installation instructions and mounting requirements.
  - 4. Cleaning methods.

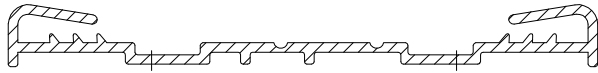
##### 1.5 DELIVERY, STORAGE, AND HANDLING

- A. Deliver, store and handle materials and products in strict compliance with manufacturer's instructions and recommendations and industry standards.

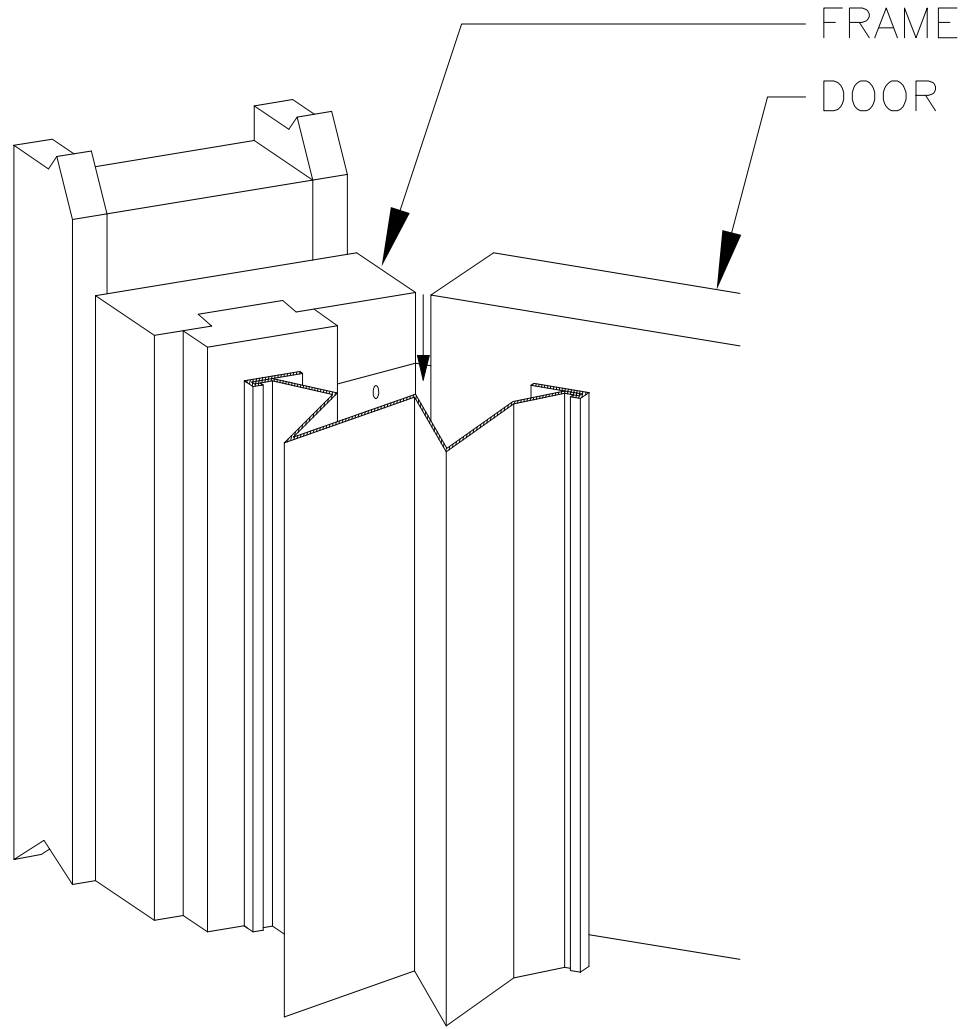
FINGERSAFE MK1A  
OPEN HINGE PROTECTION



PLEATED GUARD (a.k.a. ACCORDION)



RETAINING PLATE (a.k.a. FIXING STRIP)



ISOMETRIC VIEW

- B. Store materials in manufacturer's original sealed, labeled packaging until ready for installation and in a horizontal position in accordance with manufacturer's instructions. Protect from damage.

## 1.6 PROJECT CONDITIONS

- A. Maintain environmental conditions (temperature, humidity and ventilation) within limits recommended by manufacturer for optimum results. Do not install products under environmental conditions outside manufacturer's recommended limits.

## PART 2 PRODUCTS

### 2.1 MANUFACTURERS

- A. Acceptable Manufacturer: Fingersafe USA, Inc; P. O. Box 8777; Savannah, GA 31412. ASD. Phone: 912-234-6120. Fax: 912-236-7549. Web Site: [www.fingersafe.com](http://www.fingersafe.com).
- B. Substitutions: Not permitted.

### 2.2 DOOR HINGE GUARDS FOR OPENING SIDE

- A. Door Hinge Guards: Model MK1A for opening side as manufactured by Fingersafe USA, Inc.
  1. Length: Standard, 79.75 inches (2026 mm).
  2. Length: 84 inches (2134 mm).
  3. Length: 96 inches (2438 mm).
  4. Length: As recommended by manufacturer for full length of door from bottom side of frame of frame at top frame at top to bottom of door. Can be cut to size.
  5. Width: 2.4 inches
  6. As scheduled and indicated on drawings
  7. Thickness: .04 inches typical
  8. Construction: High-quality PVC (UL V-O rated) with TPE hinges.
  9. Design: Ejects fingers from the opening hinge end of a door before injury can occur.
  10. Compatibility: Fits wood, aluminum, metal, stainless steel and UPVC doors.
  11. Range of Motion: Allows door to operate in excess of 180 degrees.
  12. Installation Accessories: Screws and fixing strips are included.
  13. Compliance: Approved for use up to any four-hour fire-rated door assembly.
    - a. ASTM E 152 - Methods of Fire Tests of Door Assemblies.
    - b. NFPA` 25 - Standard For The Inspection, Testing, And Maintenance Of Water-Based Fire Protection Systems.
    - c. UL 10B - Fire Tests of Door Assemblies.
    - d. UL 10C - Positive Pressure Fire Tests of Door Assemblies.
    - e. CAN4 S-104 - Standard Method for Fire Tests of Door Assemblies
    - f. UBC 7-2 - Fire Tests of Door Assemblies.
  14. Colors: White.
  15. Colors: Black.
  16. Colors: Grey.
  17. Colors: Brown.
  18. Colors: Almond.

\*\* NOTE TO SPECIFIER \*\* If the hinge pin side can be accessed Mk1B is needed. Initially developed for the U.S. Government, this model affixes to the door frame and outside edge of door from top to bottom forming a protective seal over the hinge. We can supply special models to cover larger hinges. Door hinge guards have a high impact resistance and are easily cleaned with common household cleaners.

## 2.3 DOOR HINGE GUARDS FOR HINGE PIN SIDE

- A. Door Hinge Guards: Model MK1B for hinge pin side as manufactured by Fingersafe USA, Inc.
1. Length: Standard, 79.75 inches (2026 mm).
  2. Length: 84 inches (2134 mm).
  3. Length: 96 inches (2438 mm).
  4. Length: As recommended by manufacturer for full length of door from bottom side of
  5. Width: 1.1 inches (28 mm).
  6. Width: Can be doubled in width
  7. Width: As scheduled and indicated on Drawings
  8. Thickness: 0.4 inches (10 mm) typical.
  9. Construction: High-quality PVC (UL V-O rated) with TPE hinges.
  10. Design: Protects fingers from the hinge pin end of the door.
  11. Compatibility: Fits wood, aluminum, metal, stainless steel and UPVC doors.
  12. Range of Motion: Allows door to operate in excess of 180 degrees.
  13. Application: Can be modified to accommodate doors or gates with a maximum opening of 16 inches (406 mm), wider openings up to 8-1/2 inches (215 mm); also fit rising butts.
  14. Installation Accessories: Screws and fixing strips are included.
  15. Compliance: Approved for use in up to any four-hour fire-rated door assembly.
    - a. ASTM E 152 - Methods of Fire Tests of Door Assemblies.
    - b. NFPA 25 - Standard For The Inspection, Testing, And Maintenance Of Water-Based Fire Protection Systems.
    - c. UL 10B - Fire Tests of Door Assemblies.
    - d. UL 10C - Positive Pressure Fire Tests of Door Assemblies.
    - e. CAN4 S-104 - Standard Method for Fire Tests of Door Assemblies
    - f. UBC 7-2 - Fire Tests of Door Assemblies.
  16. Colors: White.
  17. Colors: Black.
  18. Colors: Grey.
  19. Colors: Brown.
  19. Colors: Almond

## 2.4 DOOR HINGE GUARDS FOR BI-FOLD AND FLUSH FIT DOORS TO FRAME

- A. Door Hinge Guards: MK1C for bi-fold and flush fit doors as manufactured by Fingersafe USA, Inc.
1. Length: As recommended by manufacturer for size of door.
  2. Construction: High-quality PVC (UL V-O rated) with TPE hinges.
  3. Components: Uses the MK1A module but has a fixing strip which keeps the door hinge guard flat against the door and ejects fingers.
  4. Application: Allows a full 5 inch (127 mm) door opening and can be modified to accommodate wider openings up to 8-1/2 inches (125 mm)
  5. Compliance: Acts as a draft excluder and smoke inhibitor.
  6. Colors: White.

## PART 3 EXECUTION

### 3.1 EXAMINATION AND PREPARATION

- A. Examine and prepare substrates and openings using the methods recommended by manufacturer in "Checklist for Door Safety" for achieving best result for the substrates under project conditions.
- B. If preparation is the responsibility of another installer, notify Architect in writing of deviations from manufacturer's recommended installation tolerances and conditions.

### 3.2 INSTALLATION

- A. Installation in accordance with manufacturer's instructions and in proper relationship to adjacent construction.

### 3.3 PROTECTION

- A. Protect installed products until completion of project.
- B. Touch-up, repair or replace damaged products before Substantial Completion.

END OF SECTION