

FINGERSAFE MK1C

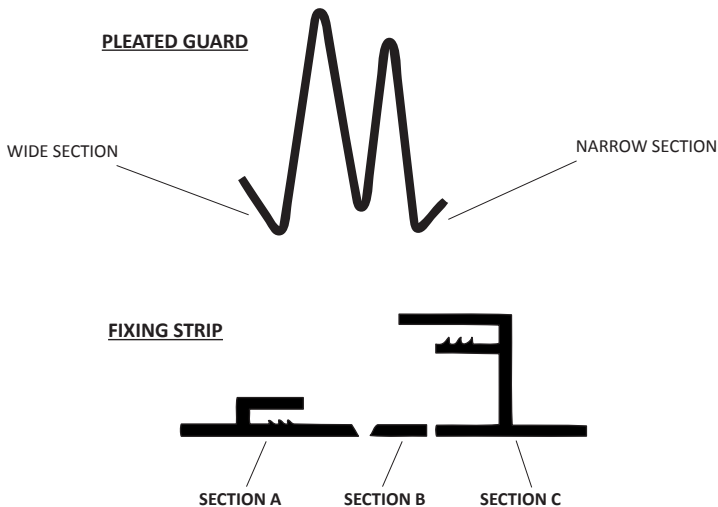
FITTING INSTRUCTIONS

FOR DOORS FLUSH WITH THE FRAME

www.fingersafeUSA.com
Tel: 1-912-234-6120
Email: orders@Fingersafe.com

There are many ways to fit our finger guards. All fitting instructions are contained on the technical page of our website www.fingersafe.com We suggest you review all fitting instructions to ensure you fit the finger guards in the manner most appropriate to your door.

COMPONENTS OF MK1C



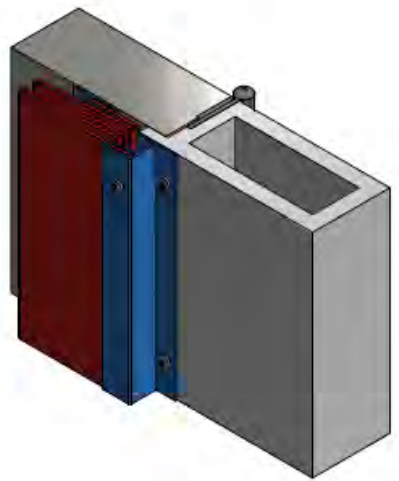
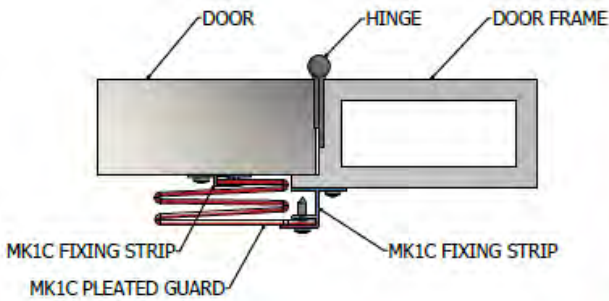
**Use a stanley knife to cut the strip into sections A, B and C before commencing installation.
Discard section B.**

STEP 1

Check the firmness of the door hinges to check for damage and to be sure the door closes- if the door closes easily without Fingersafe it will continue to do so once Fingersafe MK1C is fitted.

STEP 2

The MK1C is designed to fit a standard height door of 80". If the door being fitted is less than this standard height, cut the pleated guard with sharp scissors or tin snips- and cut the fixing strip with a hacksaw- to fit the height of the door less .75" for clearance.



BIRDS EYE VIEW WITH FINGERSAFE MODULE FITTED

STEP 3

Hold section C so that its inside edge is aligned with the inner edge of the frame, and also aligned with the bottom of the door. Once in position, insert TEK screws provided to fasten. Ensure screws are also fastened within 1" of the top and bottom of the fixing strips.

STEP 5

Align the wide section of the pleated guard with the section A (door-side fixing strip). Starting at the top and moving downwards, snap the pleated guard into the fixing strip, being sure that it is fully locked into the serrations. (Three distinct clicks signal a secure installation.)

STEP 7

After opening and closing the door to ensure that the Fingersafe is working, attach 3 extra screws top, middle and bottom to both sides of unit through both fixing strip and module.

STEP 4

With the door open at a 90° angle, align the narrow section of the pleated guard with the section C (frame-side) fixing strip. Starting at the top and moving downwards, snap the pleated guard into the fixing strip, being sure that it is fully locked into the serrations. (Three distinct clicks signal a secure installation.)

STEP 6

Close the door and lay the fixing strip section A with module inserted against the door and aligned with the bottom of the door, and screw into position making sure the pleated guard lays flat against door.

